



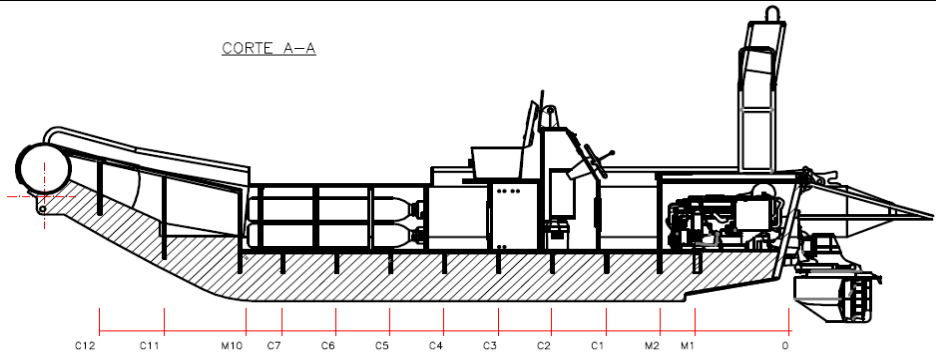
TECNOSUB



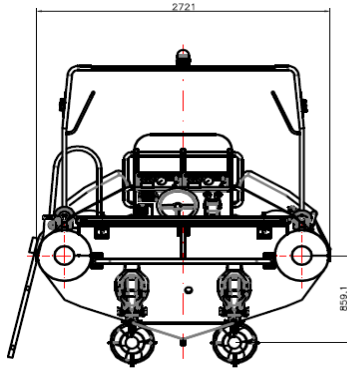
Scuba Replacement Boat



CORTE A-A

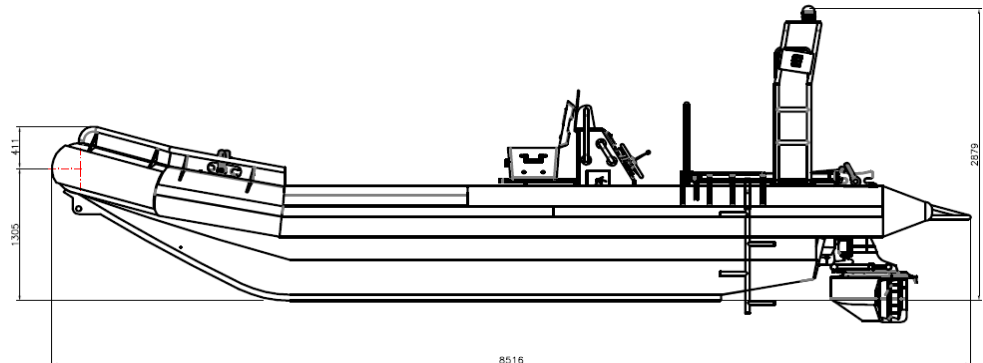


C12 C11 M10 C7 C6 C5 C4 C3 C2 C1 M2 M1 0



2721

859,1



411

1305

2879

8516



Containerized Scuba Replacement Boat - Polyethylene

- 8,5 meters Polyethylene Rigid Hull
- 2 x Yanmar Motors 200 CV Each - Diesel
- 1 x VHF Marine Communication System
- Fully compliant with to IMCA D040
- Containerized in a High Cube 40 ft Container

System Including:

- 4 x 50L air rack
- 1 x Portable Dive Panel fully compliant with to IMCA D040 (Heated system)
- 2 x 50 m Diving umbilicals
- 1 x AMRON Diving Communications
- 1 x Helmet Kirby Morgan KM37
- 1 x Band mask Kirby Morgan KMB18, with hardshell
- 2 x Safety Diving Harnesses

TECNOSUB'S HEADQUARTERS

c/ Pau del Protectorat, 18
43004 - Tarragona (SPAIN)

Tel: +34 977 252 802 Fax: +34 977 237 551

www.tecnosub.net

E-mail: spain@tecnosub.net

