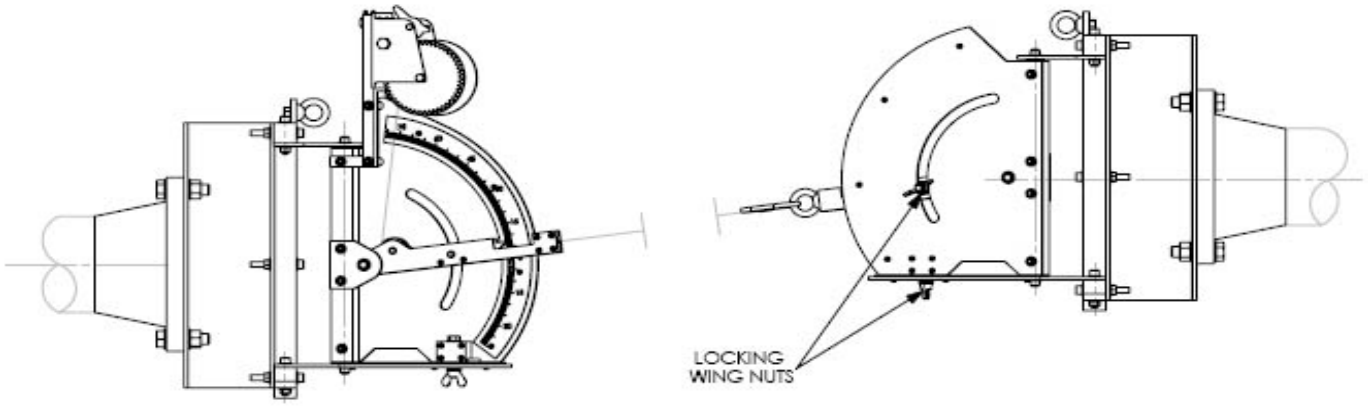




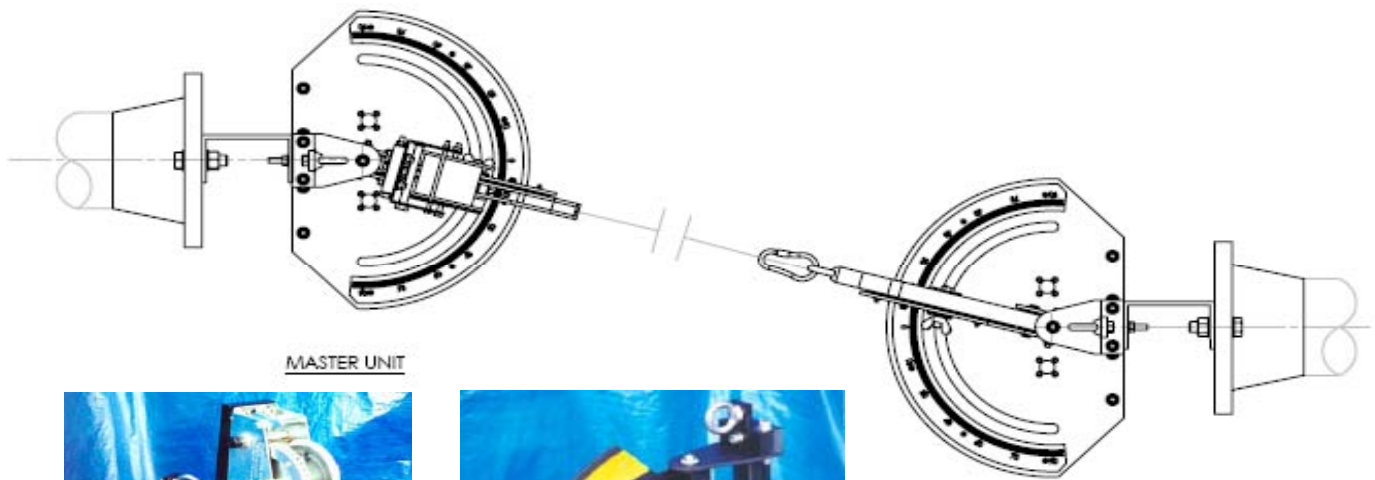
TECNOSUB



Spool Metrology Set



TYPICAL SETUP BETWEEN PIPE FLANGES



MASTER UNIT

SLAVE UNIT



Metrology Set MET-700

- Large easy to read scales with large measuring angles
- Easy lock protactor settings - big brass wing nuts
- Serviceable - precision machined and bolted assembly
- Master unit 13 Kgr in air & 10,5 Kgr in water
- Slave unit 12 Kgr in air & 8,5 Kgr in water
- Dry / water lubricated bushed pivot bearings
- 100m x 2 mm stainless steel wire
- Suitable for flange face or pipe saddle mounting
- Master unit with winch

TECNOSUB'S HEADQUARTERS

c/ Pau del Protectorat, 18
43004 - Tarragona (SPAIN)
Tel: +34 977 252 802 Fax: +34 977 237 551
www.tecnosub.net
E-mail: spain@tecnosub.net

