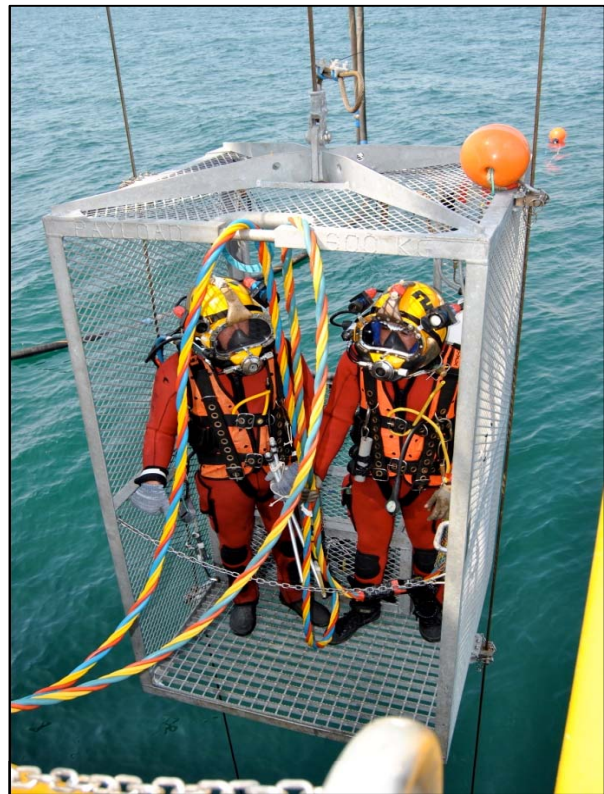
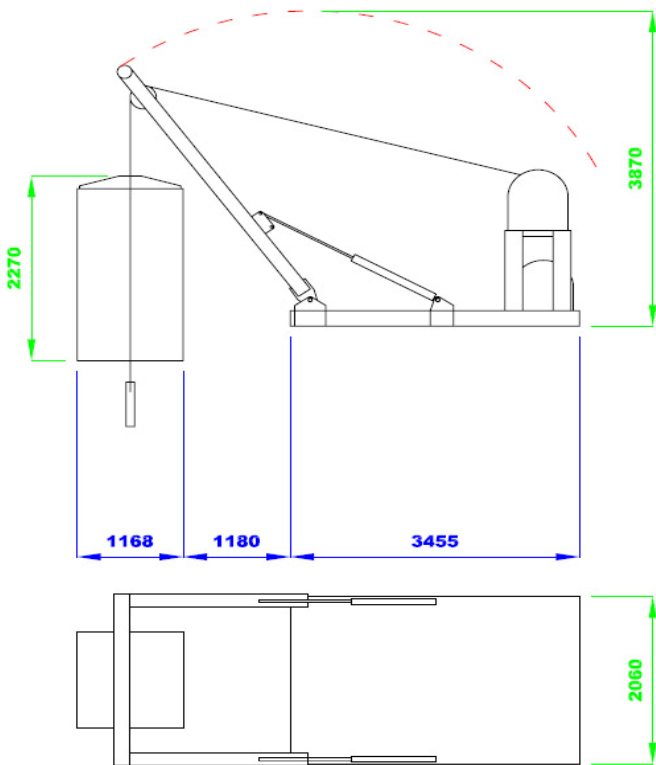




# TECNOSUB



## Diver Launch & Recovery System



**LARS (3 units available)**

**Model LR 50 A2 - Fully Compliant IMCA D023**

**System Including:**

- Mini Air basket deployment (for 2 divers)
- 1,000 kg - 70m main wire basket winch
- 650 kg - 140m guide wire weight winch
- Twin hydraulic motor power pack with individual pumps per winch.

| Dimensions: |                         | Power Supply:                              |  |
|-------------|-------------------------|--|--|
| Length      | 3,17 m                  | 1 x primary main power lines : 400VAC 50Hz |  |
| Width       | 2,10 m                  | Connection: Ceeform 63A 3ph+N+PE(5P)       |  |
| Height      | 2,38 m (Transport mode) | 1 x emergency power lines : 400VAC 50Hz    |  |
| Weight      | 4,5 Ton                 | Connection: Ceeform 63A 3ph+N+PE(5P)       |  |

**TECNOSUB'S HEADQUARTERS**

c/ Pau del Protectorat, 18  
 43004 - Tarragona ( SPAIN)  
 Tel: +34 977 252 802 Fax: +34 977 237 551  
 www.tecnosub.net  
 E-mail: spain@tecnosub.net

